

PC-VM1 & PC-VMX Vario Clip Self Tapping Male

INDUSTRY FIT:    

SPECIFICATIONS:

STANDARD PC RANGE

The Fastmount self tapping clip PC-VM1 and PC-VMX add to the existing range. Designed for variable gap, high shear strength applications.

PC-VM1



USE WITH:

PC-F1A

PC-RF1

PC-SF1

PC-AF1



PC-VMX



MATERIAL:

White acetal copolymer/Nylon GF

MORE INFO:

Installation Guide FM IG_PC-F1A, SF1, RF1
Clip Layout Guide FM TD-02, TD-08

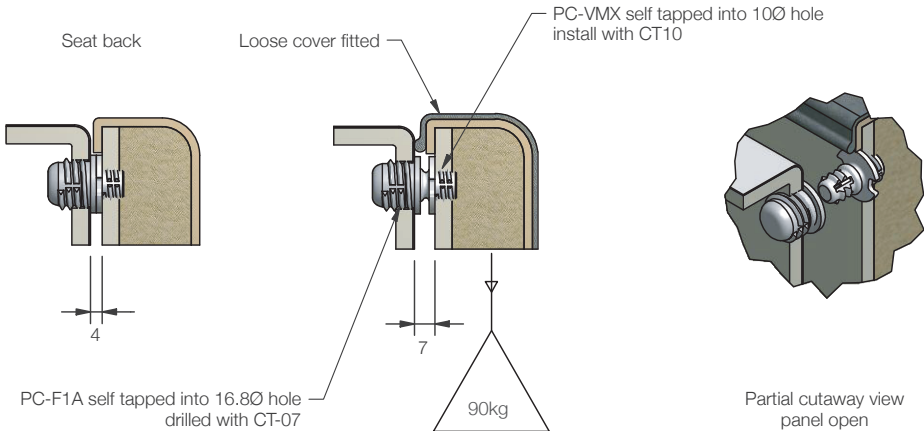
BENEFITS

- Variable clipping depth
- High shear load (50kg/clipset)
- Remove and refit panels in any sequence multiple times
- Perfect panel alignment and secure mounting every time
- 5kg or 15kg pull out load per clip
- Durable design for frequent handling

APPLICATIONS

- Seat backs and bases
- Seat backs with removable covers
- Heavy wall panels
- Use in conjunction with standard range clips
- Variety of substrates

INSTALLATION: Partially exploded through section showing typical installation method



The Fastmount® multi-award winning system has revolutionized the mounting of panels. Panels can easily be removed and refitted in any sequence time after time. For further information or technical support contact: info@fastmount.com